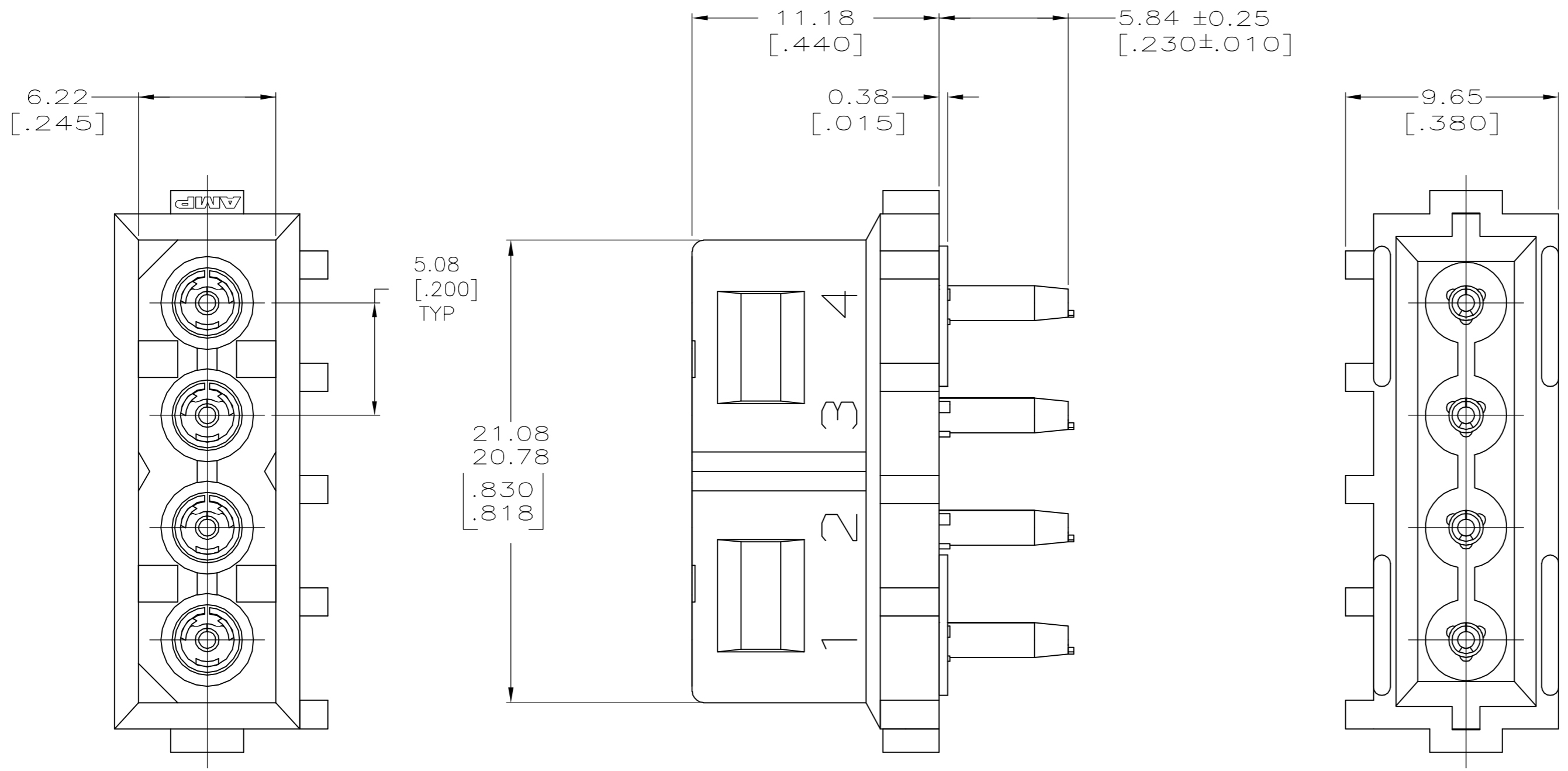
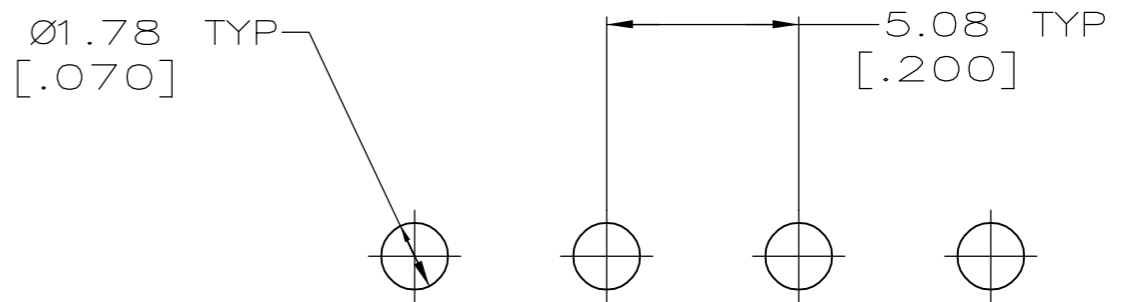
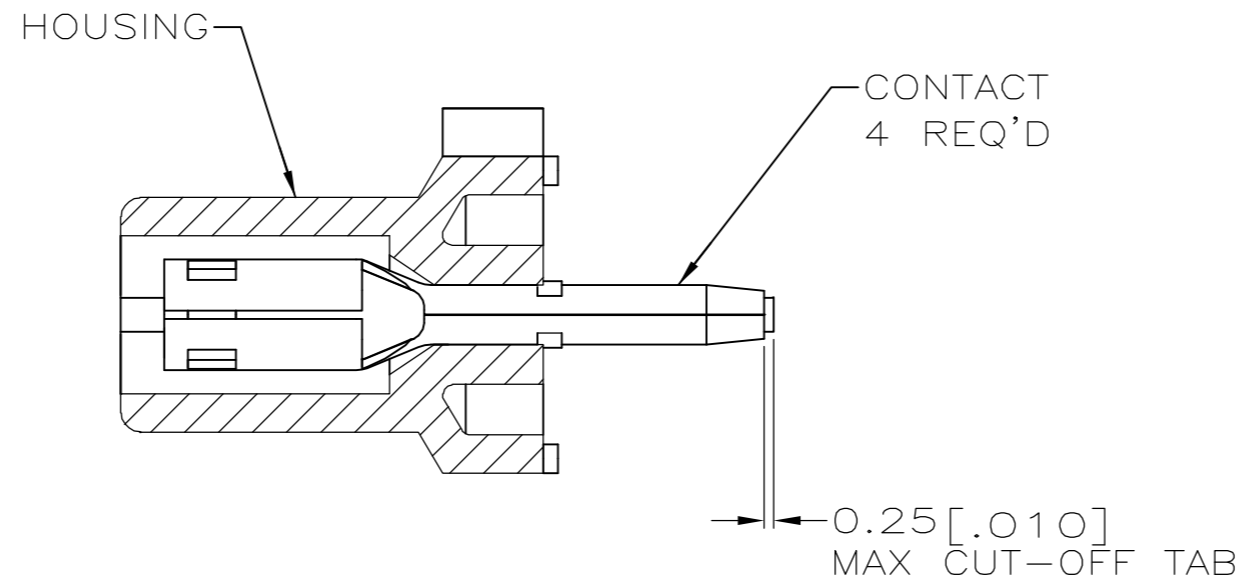
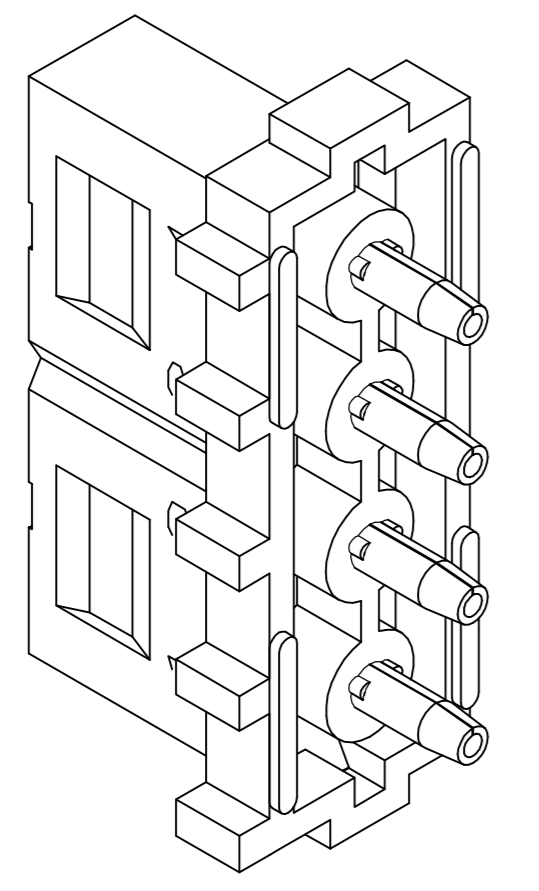


THIS DRAWING IS UNPUBLISHED. RELEASED FOR PUBLICATION  
 © COPYRIGHT BY TYCO ELECTRONICS CORPORATION. ALL RIGHTS RESERVED.

Loc		DIST		REVISIONS			
P	LTR	DESCRIPTION		DATE	DWN	APVD	
0		REVISED PER 0G3B-1133-04		7/28/05	SS	DC	



1. PARTS COMPLY WITH AMP SOLDERABILITY SPEC. 109-11-5.



PH BRZ	PRE-TIN	NYLON, UL94V-2	NATURAL	1586542-1
MATERIAL	FINISH	MATERIAL	COLOR	PART NO
PIN		HOUSING		
THIS DRAWING IS A CONTROLLED DOCUMENT.		DWN S SCHLEGEL 7/28/05	tyco Tyco Electronics Corporation	
DIMENSIONS: mm [INCHES]		CHK D COLEY 7/28/05	Harrisburg, Pa 17105-3608	
TOLERANCES UNLESS OTHERWISE SPECIFIED:		APVD D COLEY 7/28/05	NAME	
0 PLC ± -	1 PLC ± -	PRODUCT SPEC		
2 PLC ± 0.13 [.005]	3 PLC ± -	APPLICATION SPEC		
4 PLC ± -	ANGLES ± 0°30'	FINISH		
MATERIAL SEE TABLE	FINISH SEE TABLE	WEIGHT -	SIZE A2	CAGE CODE 00779
CUSTOMER DRAWING		DRAWING NO C=1586542		RESTRICTED TO -
		SCALE 5:1	SHEET 1 OF 1	REV 0

1586542